

## INSTALLATION SPECIFICATION SHEET

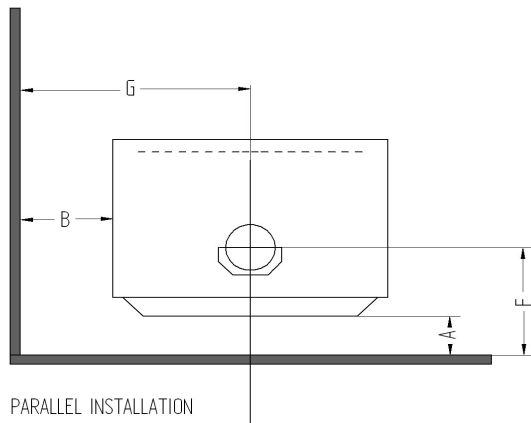
These instructions must be used in conjunction with the 'General Installation Instructions' for MASPORT wood fires.

### CLEARANCE REQUIREMENTS

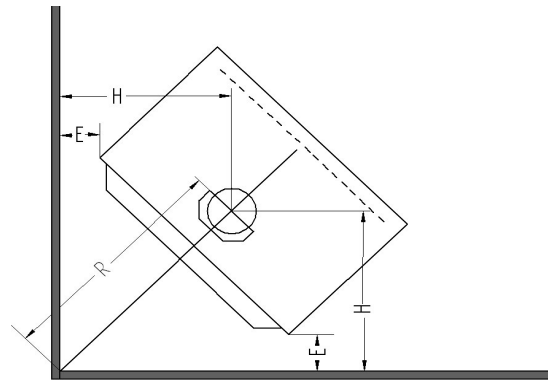
This fire has been tested to the Australian/New Zealand Standard AS/NZS 2918:2001 and all installations must be in accordance with the minimum clearances to combustibles indicated in these instructions.

The minimum clearances to combustibles may be reduced if the combustible walls are shielded with an approved non-combustable material. Details of suitable materials and appropriate clearance reduction factors are present in Section 3 of AS/NZS 2918:2001.

### POSITIONING YOUR FREE-STANDING WOODFIRE



PARALLEL INSTALLATION



CORNER INSTALLATION

### NEW ZEALAND

MINIMUM DISTANCES TO HEAT SENSITIVE WALLS (mm)

MODEL	FLUE HEAT SHIELD	A	B	E	F	G	H	R§
Hestia Multi Fuel	LOGAIRE DOUBLE SKIN S/S POLISHED	100	400	120	263	720	461	653
	WITHOUT FLUE SHIELD	410	400	230	573	720	572	808

### AUSTRALIA

MINIMUM DISTANCES TO HEAT SENSITIVE WALLS (mm)

MODEL	FLUE HEAT SHIELD	A	B	E	F	G	H	R§
NOT AVAILABLE								

§ Valid only when the room walls are at 90° to each other.

‡ Note: Clearances are for fire hazard only. For durability of finishes or surfaces you should contact the relevant manufacturer for their specification. Glen Dimplex Australasia Ltd accepts no responsibility for the deterioration of surfaces or finishes.

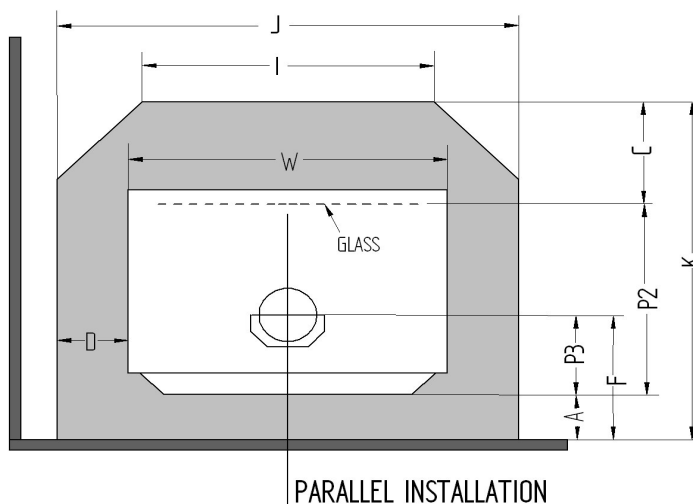
See "INSTALLING THE FLUE" for recommended Australian flue systems.

PRT. NO. **HMFM0738**

DATE: **07.09.2010**

# FLOOR PROTECTOR (Hearth) REQUIREMENTS PARALLEL INSTALLATION

MINIMUM FLOOR PROTECTOR DIMENSIONS IN mm



# DIMENSIONS IN THE TABLE ARE VALID ONLY WHEN THE FIRE IS EXACTLEY AT ITS MINIMUM ALLOWABLE WALL CLEARANCE.

## NEW ZEALAND

MODEL	Flue Shield	Floor Protector height	A#	C#	D	F	I	J	K#	P2	P3	W	Floor Protector Type Ø
Hestia Multi Fuel	*	0	100	461	130	263	600	900	1031	470	163	640	INSULATED
	*	12.5	"	434	"	"	"	"	1004	"	"	"	"
	*	25	"	404	"	"	"	"	974	"	"	"	"
	*	37.5	"	377	"	"	"	"	947	"	"	"	"
	*	50	"	344	"	"	"	"	914	"	"	"	"
	*	62.5	"	300	"	"	"	"	870	"	"	"	"
	**	25	410	404	130	573	600	900	1284	470	163	640	INSULATED

\* Logaire double skin S/S polished 1200 mm shield

\*\* Without flue shield

## AUSTRALIA - ALL WITH FLUE HEATSHIELD

MODEL	Flue Shield	Floor Protector height	A#	C#	D	F	I	J	K#	P2	P3	W	Floor Protector Type Ø

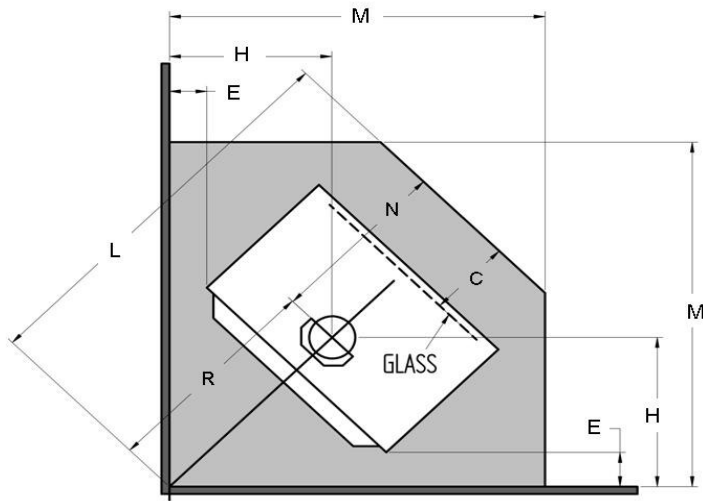
Ø for minimum constructional requirements see general installation instructions.

# Valid only when the fire is exactly at its minimum allowable wall clearance.

NOTE: Where a fan is being fitted, you may prefer to increase the 'A' dimension to 100 mm to provide easier access for servicing. If so, the amount you add to 'A' to bring it to 100 mm must also be added to the 'C' and 'S' dimensions.

# FLOOR PROTECTORS (Hearth) REQUIREMENTS CORNER INSTALLATION

MINIMUM FLOOR PROTECTOR DIMENSIONS IN mm



# DIMENSIONS IN THE TABLE ARE VALID ONLY WHEN THE FIRE IS EXACTLEY AT ITS MINIMUM ALLOWABLE WALL CLEARANCE.

## NEW ZEALAND

MODEL	Flue Shield	Floor Protector Height	C	E	H#	L#	M#	N	R#	FLOOR PROTECTOR TYPE
Hestia Multi Fuel	*	0	461	120	461	1421	1216	768	653	INSULATED
	*	12.5	434	"	"	1394	1197	741	"	"
	*	25	404	"	"	1364	1176	711	"	"
	*	37.5	377	"	"	1337	1157	684	"	"
	*	50	344	"	"	1304	1134	651	"	"
	*	62.5	300	"	"	1260	1103	607	"	"
	**	25	404	230	571	1519	1286	711	808	INSULATED

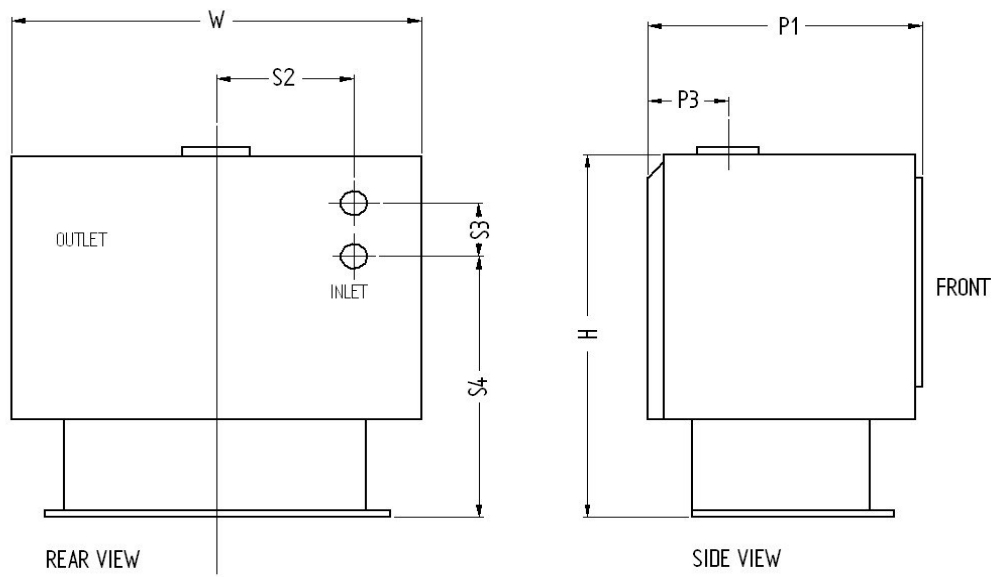
\* Logaire double skin S/S polished 1200 mm shield

\*\* Without flue shield

## AUSTRALIA

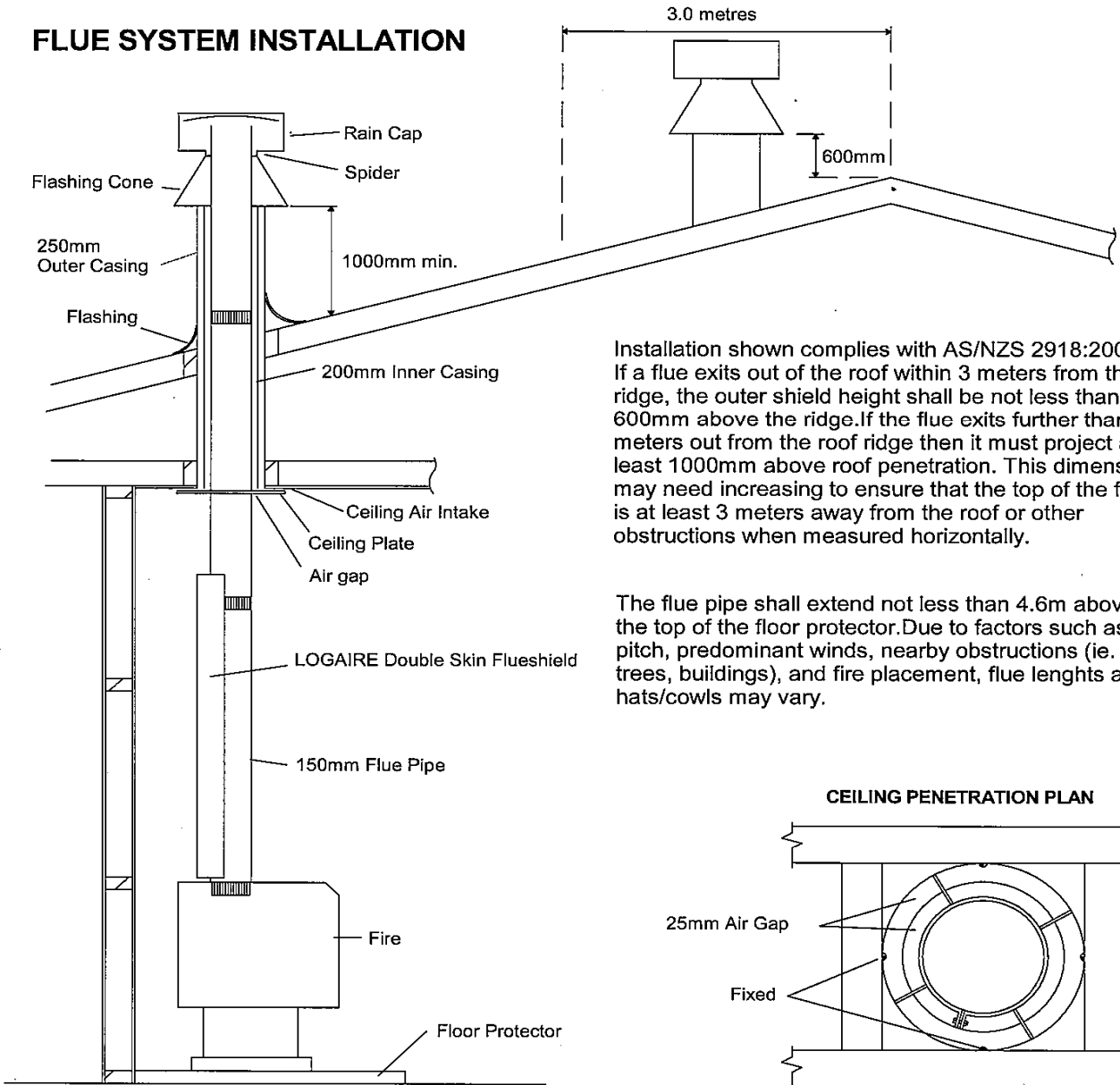
MODEL	Flue Shield	Floor Protector Height	C	E	H#	L#	M#	N	R#	FLOOR PROTECTOR TYPE

# FREE STANDING FIRE DIMENSIONS



MODEL		P1	P3	H	W	S1	S2	S3	S4
Hestia Multi Fuel		470	163	720	640	-	200	120	363

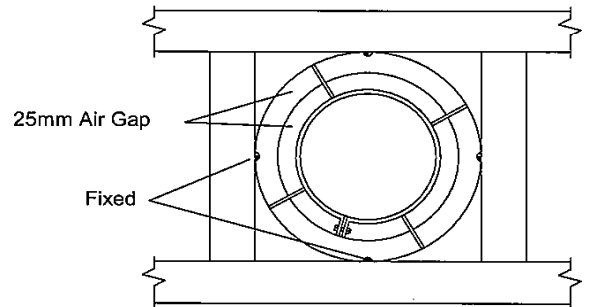
# FLUE SYSTEM INSTALLATION



Installation shown complies with AS/NZS 2918:2001. If a flue exits out of the roof within 3 meters from the ridge, the outer shield height shall be not less than 600mm above the ridge. If the flue exits further than 3 meters out from the roof ridge then it must project at least 1000mm above roof penetration. This dimension may need increasing to ensure that the top of the flue is at least 3 meters away from the roof or other obstructions when measured horizontally.

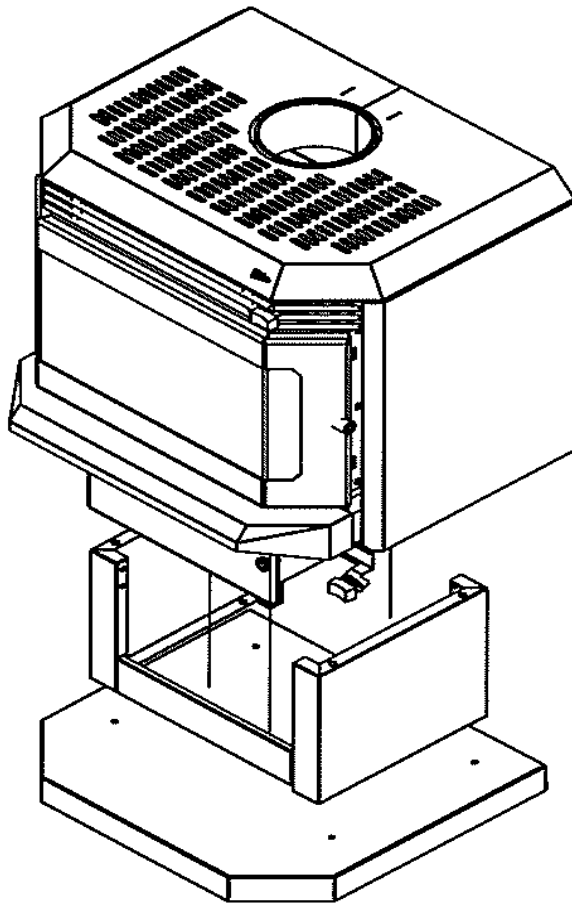
The flue pipe shall extend not less than 4.6m above the top of the floor protector. Due to factors such as roof pitch, predominant winds, nearby obstructions (ie. trees, buildings), and fire placement, flue lengths and hats/cowls may vary.

## CEILING PENETRATION PLAN



FLUE SYSTEM INSTALLATION 150mm

# ASSEMBLY OF HESTIA MULTI FUEL FIRE



- 1 Remove the contents from the fire and assemble the pedestal sides and front to the base using the nuts and bolts supplied. (Note: the 4 longer bolts are for stage 2).
- 2 Lower the fire onto the now assembled pedestal unit and bolt to the fire.
- 3 Place assembled fire in position and seismic restraint to the floor.
- 4 Next, if not already fitted in place, fit the baffle plate into place. The baffle plate is to be situated in the upper half of the fire and sits onto the brackets bolted inside the firebox.

